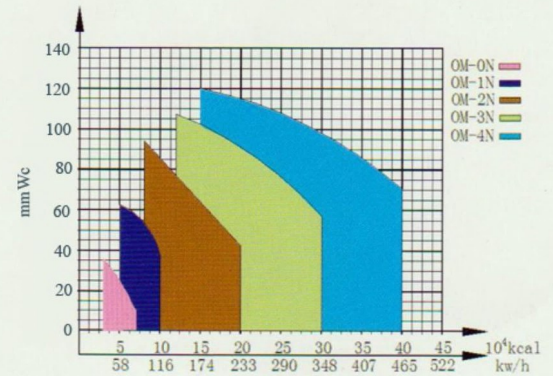
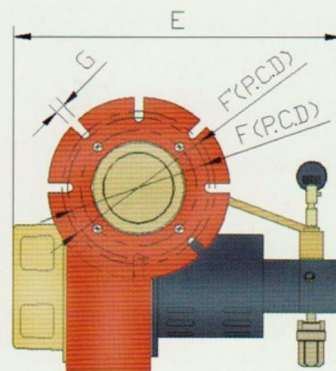
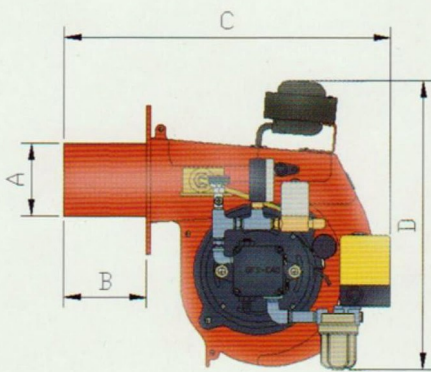


OM-1N

Olympia Oil Burner OM Series

Specification

MODEL	OUTPUT LPH	OUTPUT KW	CONTROL	MOTOR WATT / PHASE
OM - 1N	4 - 12	120	ON -OFF	150 / 1Ø
OM - 2N	8 - 24	240	ON -OFF	250 / 1Ø
OM - 3N	12 - 36	360	ON -OFF	250 / 1Ø
OM - 4N	16 - 48	480	ON -OFF	400 / 3Ø
OM - 1NWM	4 - 12	120	TWO STAGE	150 / 1Ø
OM - 2NWM	8 - 24	240	TWO STAGE	250 / 1Ø
OM - 3NWM	12 - 36	360	TWO STAGE	250 / 1Ø
OM - 4NWM	16 - 48	480	TWO STAGE	400 / 3Ø



Dimension

TYPE	A	B	C	D	E	F	G
OM-0N	φ 88	100	360	314	290	135/150	8-11
OM-1N	φ 88	100	402	351	357	135/150	8-11
OM-2N	φ 114	120	490	366	390	185	8-12
OM-3N	φ 127	150	568	425	446	240	8-12
OM-4N	φ 127	150	568	425	446	240	8-12
OM-1NWM	φ 88	100	502	351	417	135/150	8-11
OM-2NWM	φ 114	120	592	366	450	185	8-12
OM-3NWM	φ 127	150	700	425	500	240	8-12
OM-4NWM	φ 127	150	700	425	500	240	8-12